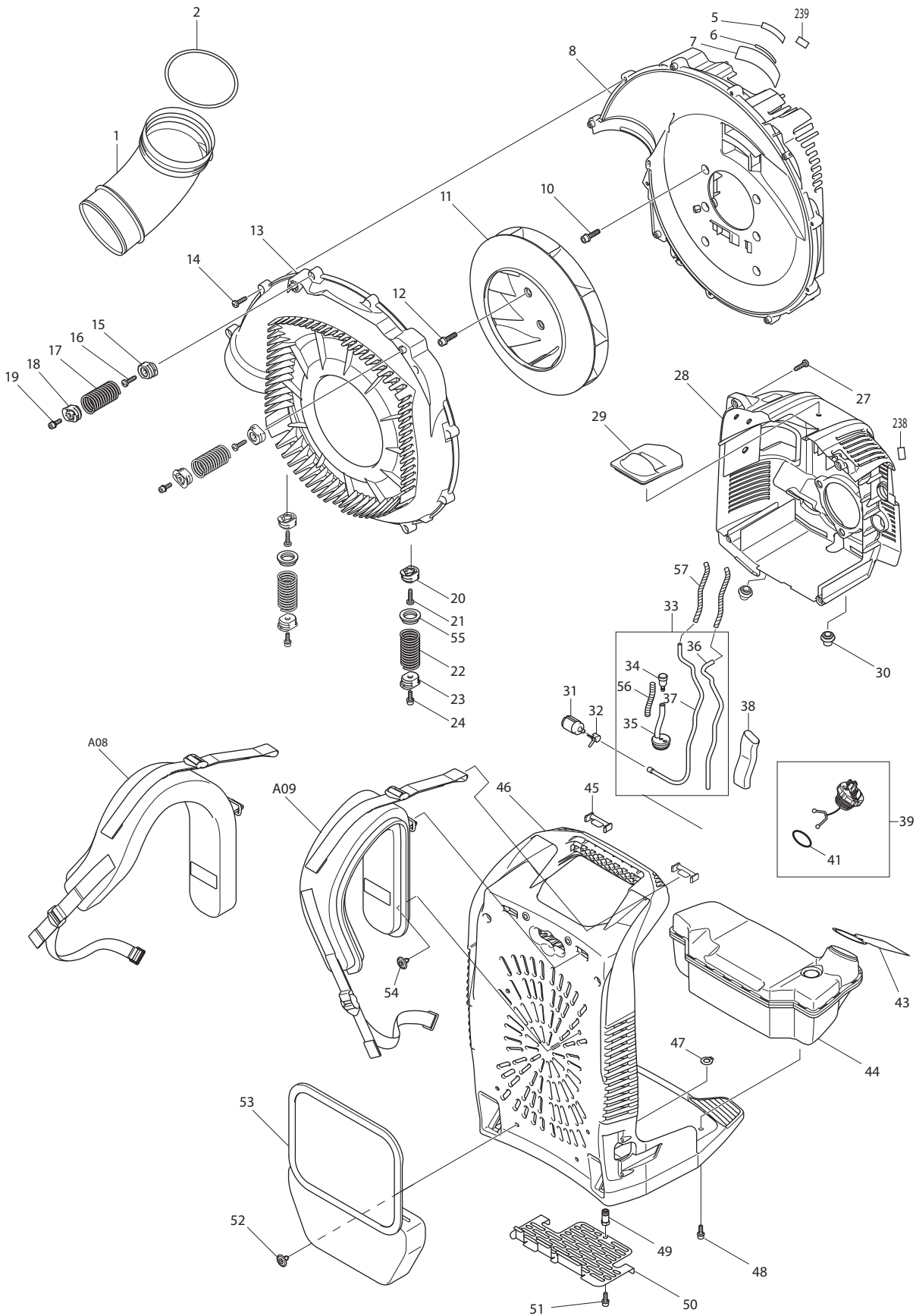
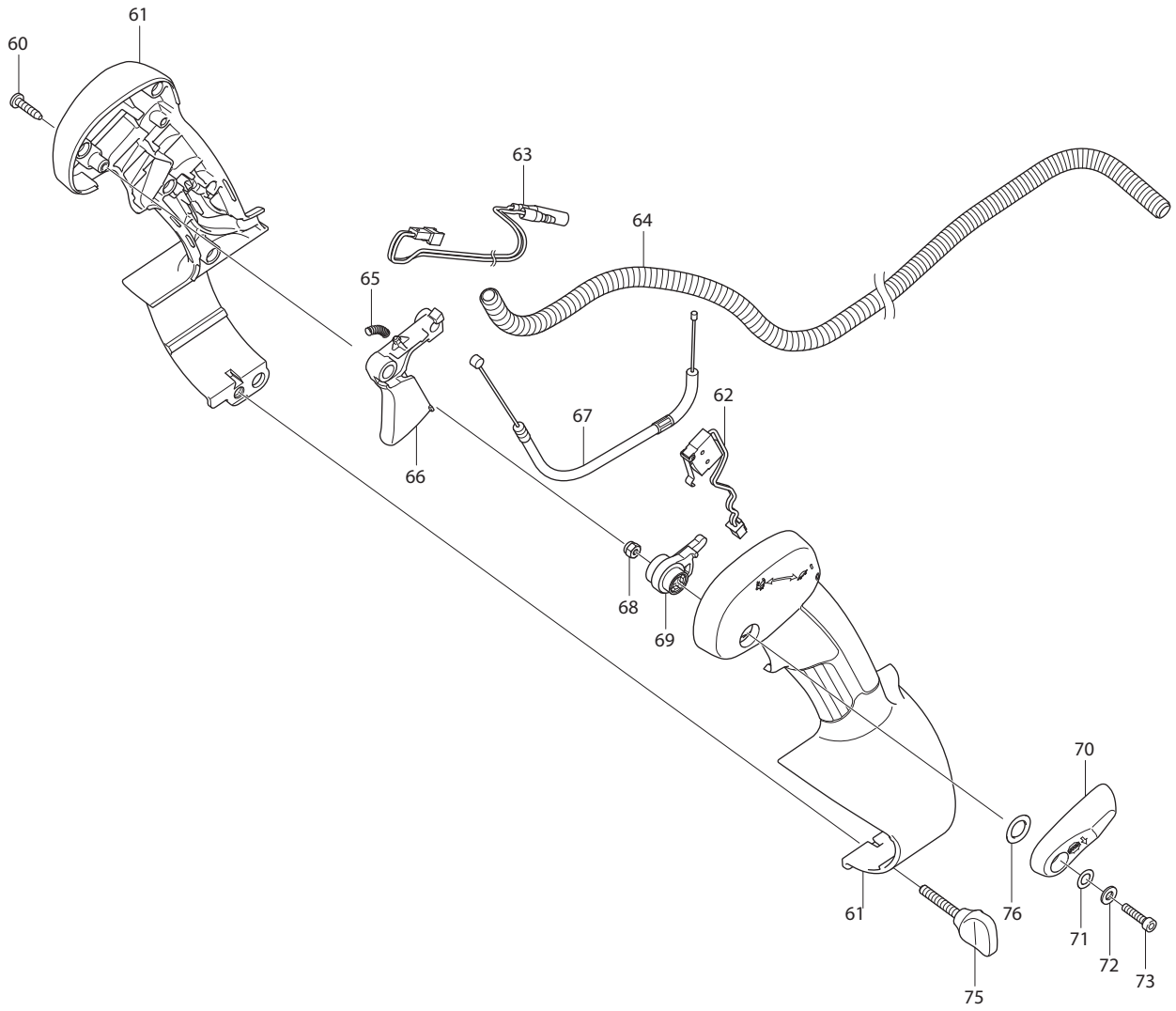
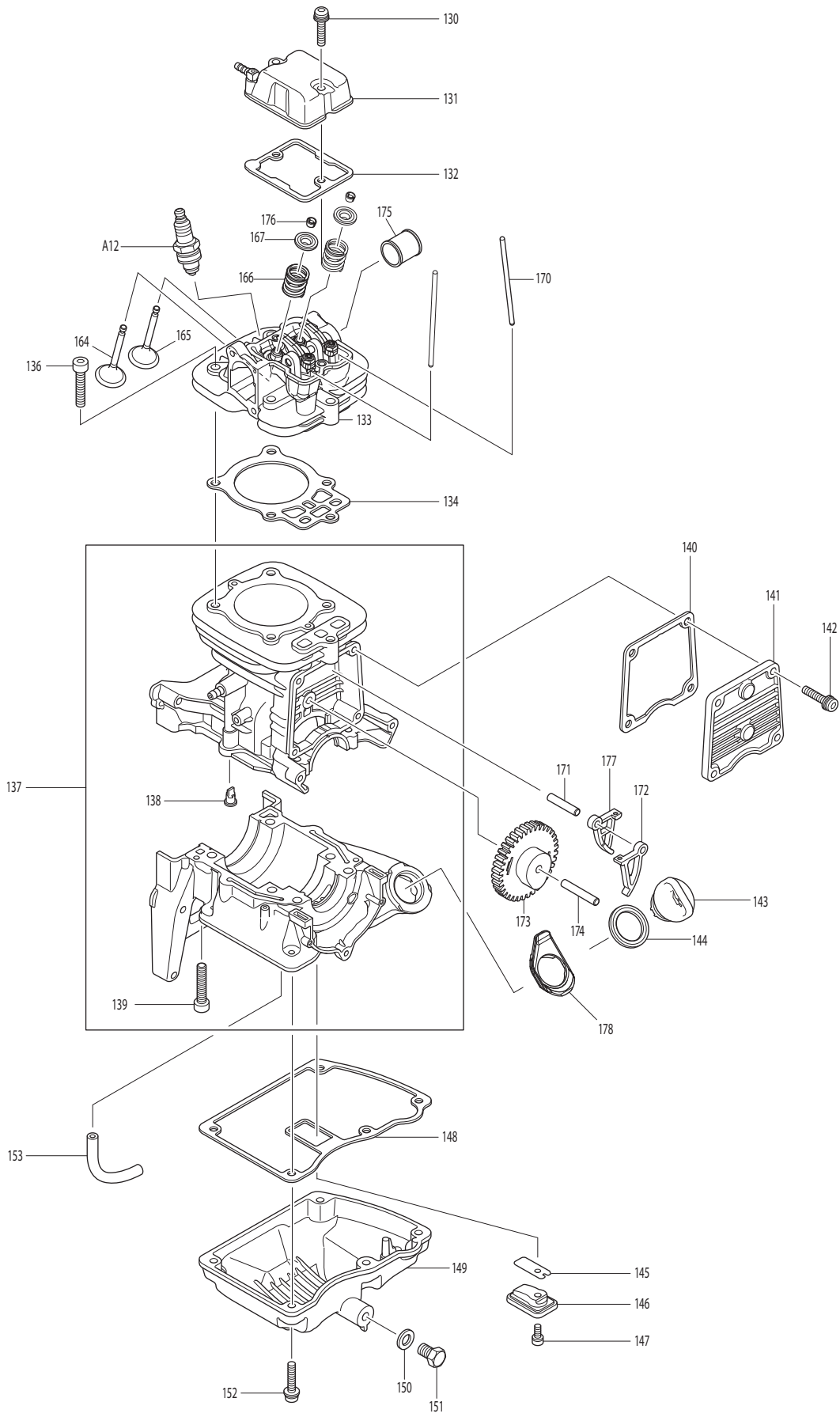


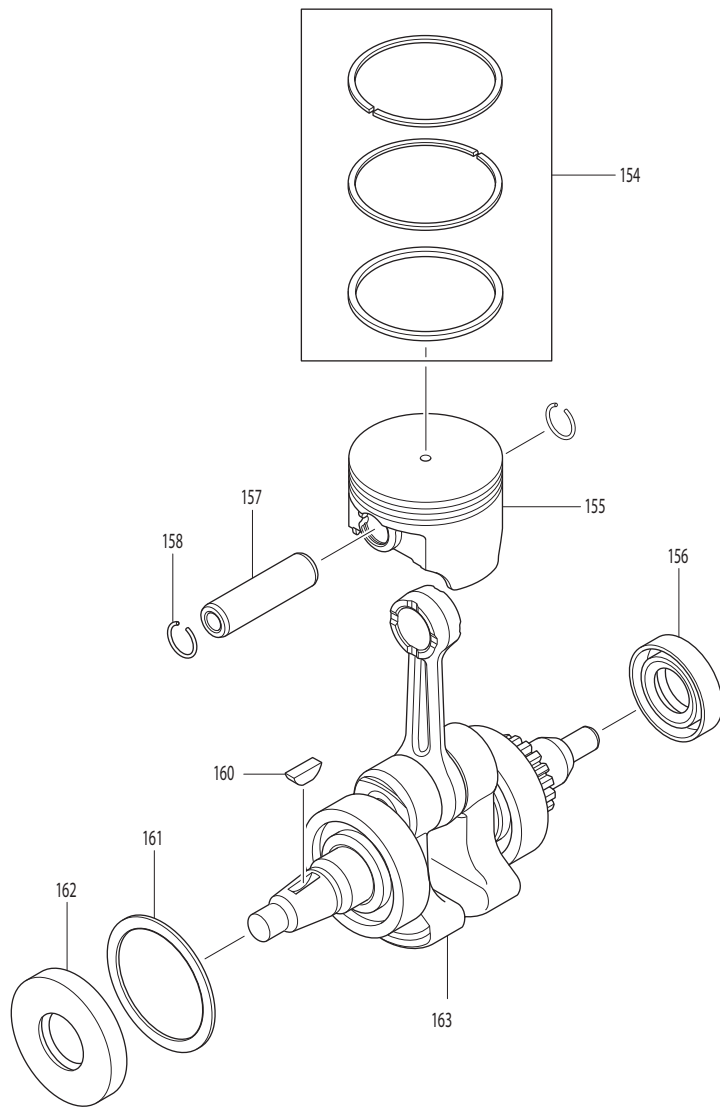


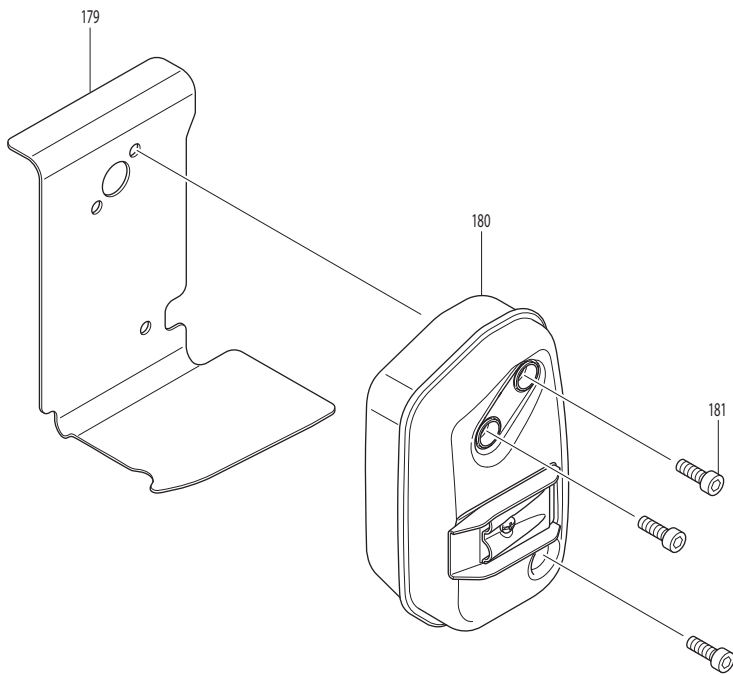
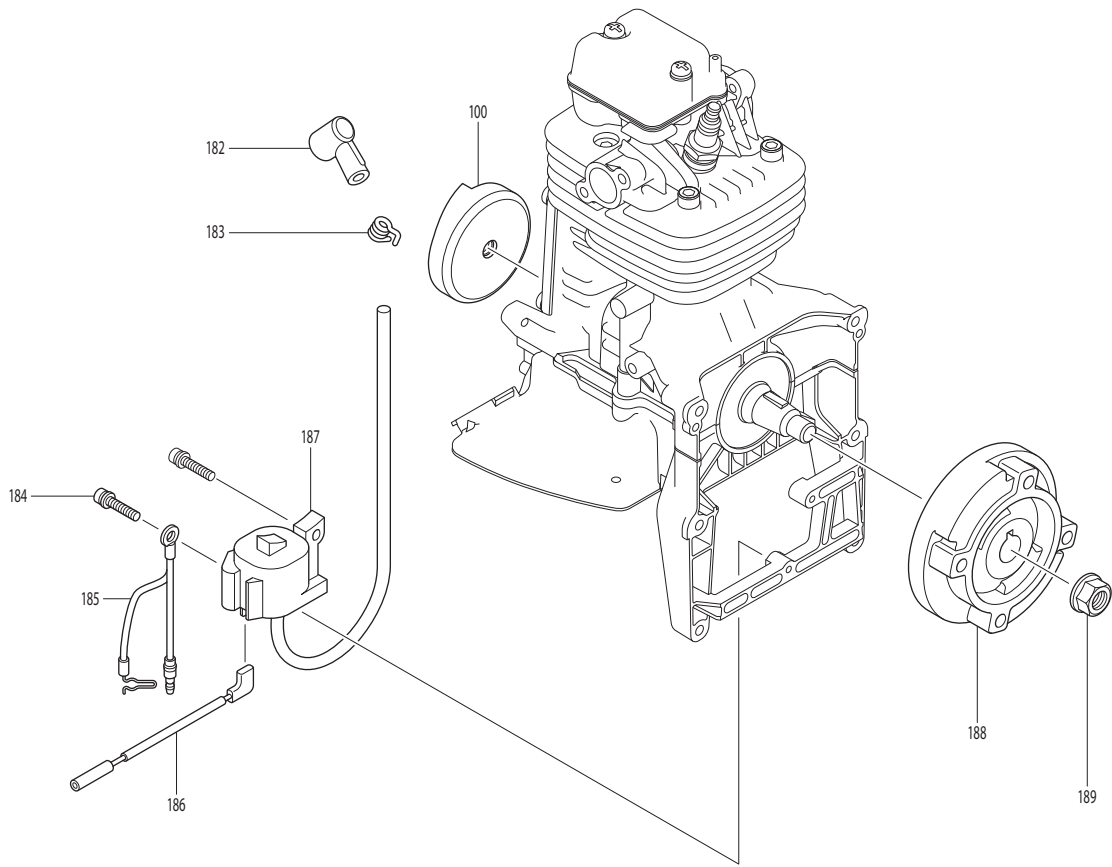
10 - 2014  
EB7650TH  
76CC BACKPACKER BLOWER  
4-STROKE

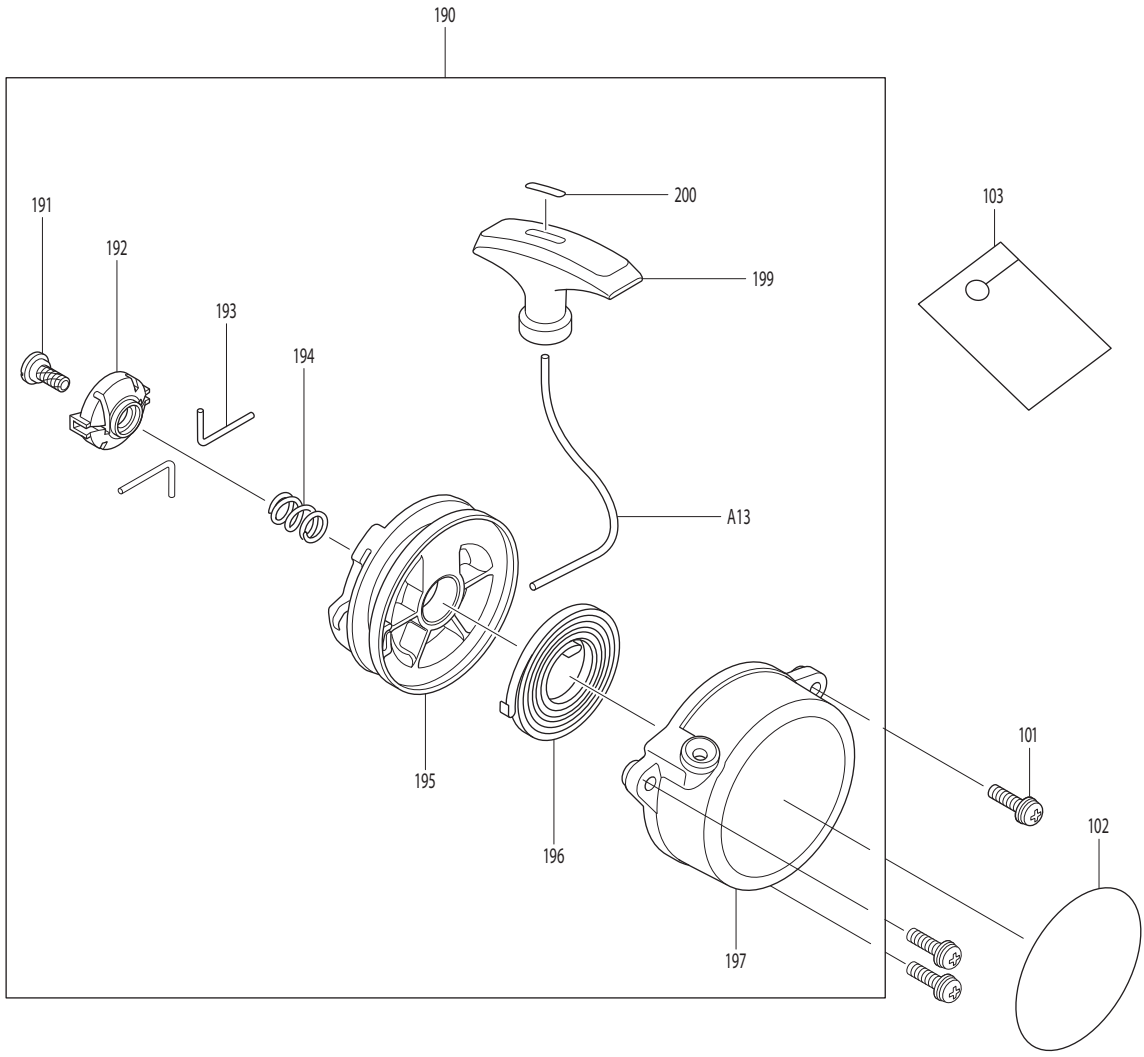


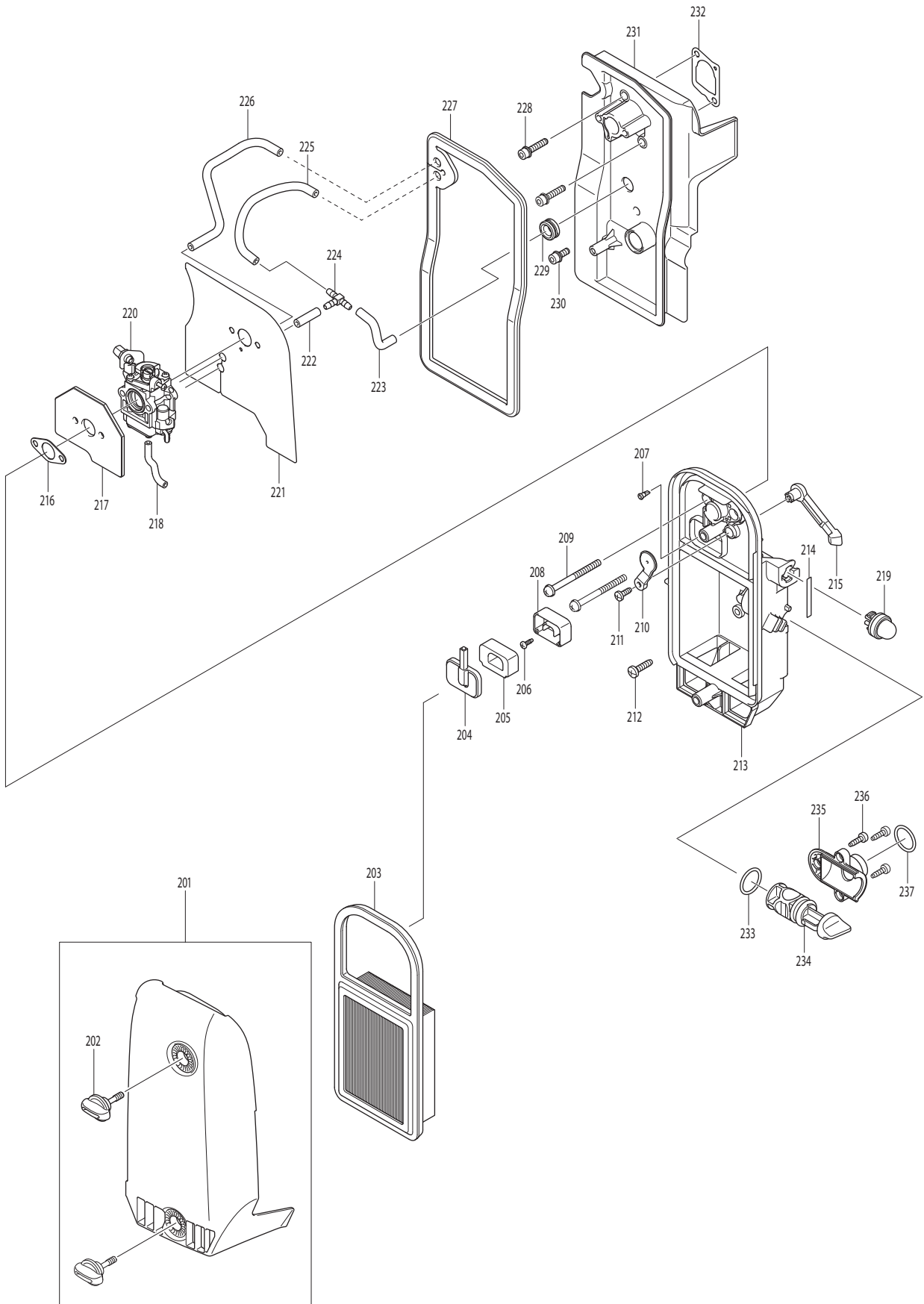




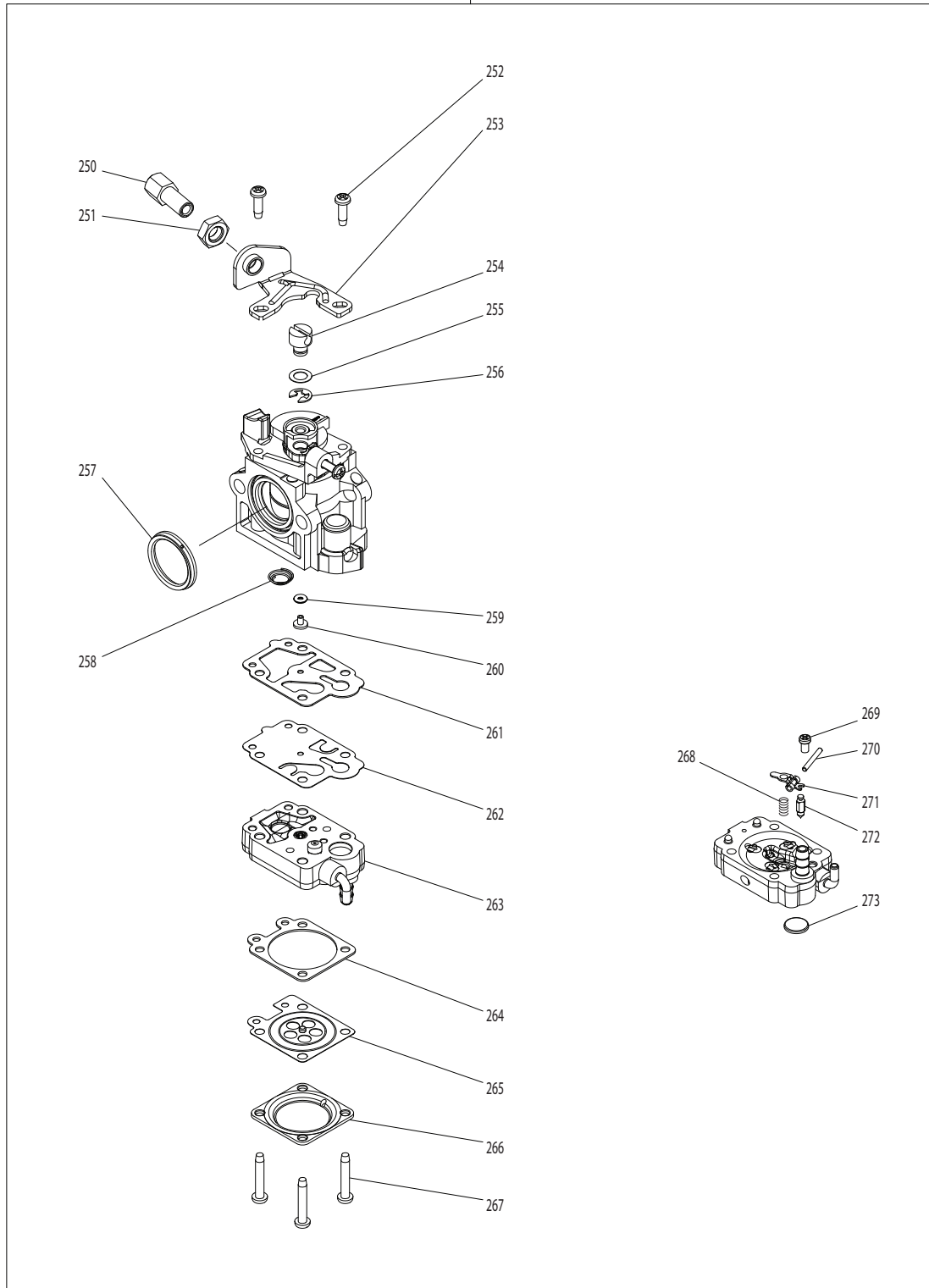




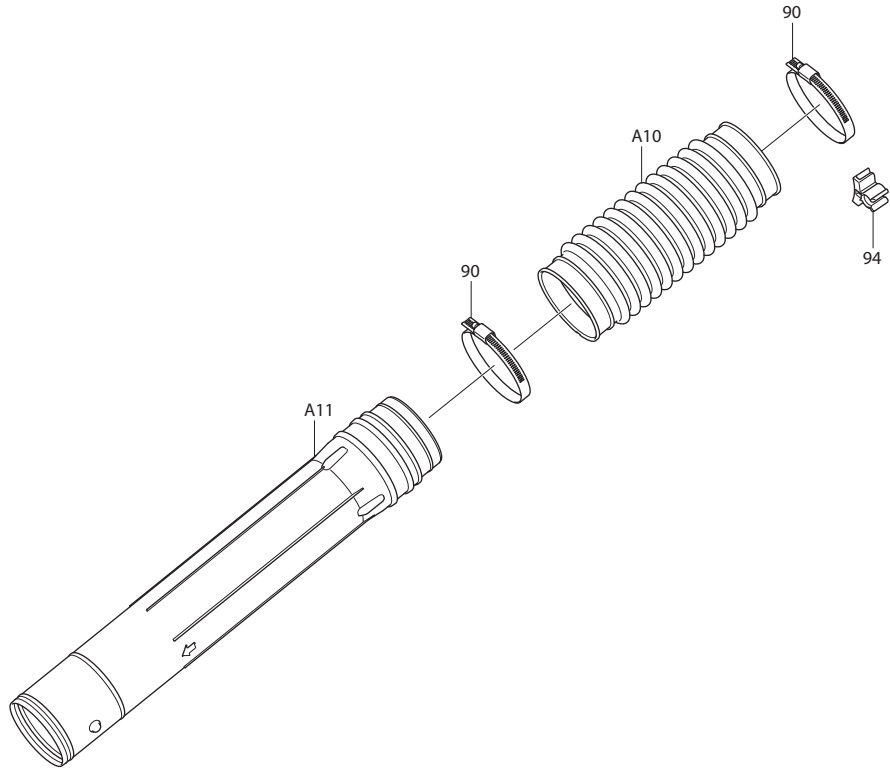




220







Item No.	Type	Sub	Part No.	Description	Qty	Unit
001			412144-8	ELBOW	1	PC.
002			213645-7	O RING 93	1	PC.
005			803S72-6	CAUTION LABEL	1	PC.
006			814E64-6	SERIAL NO. LABEL	1	PC.
007			803W16-0	GAS EMISSION APPROVAL LABEL (N/L/A)	1	PC.
008			454893-1	* FRONT VOLUTE CASE	1	PC.
010			922343-9	H.S.H.BOLT M6X25 WITH WR	6	PC.
011			240152-7	FAN 250	1	PC.
012			922343-9	H.S.H.BOLT M6X25 WITH WR	4	PC.
013			454892-3	REAR VOLUTE CASE	1	PC.
014			266420-0	TAPPING SCREW 5X20	11	PC.
015			454903-4	* SPRING HOLDER A	2	PC.
016			266420-0	TAPPING SCREW 5X20	2	PC.
017			234324-4	COMPRESSION SPRING 22	2	PC.
018			454904-2	SPRING HOLDER B	2	PC.
019			922223-9	H.S.H.BOLT M5X16 WITH WR	2	PC.
020			454903-4	SPRING HOLDER A	2	PC.
021			266420-0	TAPPING SCREW 5X20	2	PC.
022			234333-3	COMPRESSION SPRING 22	2	PC.
023			454904-2	SPRING HOLDER B	2	PC.
024			922223-9	H.S.H.BOLT M5X16 WITH WR	2	PC.
027			266420-0	TAPPING SCREW 5X20	4	PC.
028			142426-1	ENGIN COVER COMPLETE	1	PC.
		INC.	898343-0	CAUTION LABEL	1	PC.
029			424619-5	PLUG COVER	1	PC.
030			424620-0	DAMPER	2	PC.
031			163532-9	FILTER	1	PC.
032			345920-4	HOSE CLAMP	1	PC.
033			126587-5	TUBE ASSEMBLY	1	PC.
		INC.		Item No. 34-37,56		
034			168396-6	BREATHER	1	PC.
035			424505-0	GROMMET	1	PC.
036			422125-4	TUBE 3-370	1	PC.
037			412114-7	FUEL TUBE 3-370	1	PC.
038			422137-7	TUBE GUARD 20-102	1	PC.
039			140831-6	TANK CAP COMPLETE	1	PC.
		INC.		Item No. 41		
041	2		213831-0	O RING 29.5	1	PC.
043			898428-2	CAUTION PLATE	1	PC.
044	1		143014-7	FUEL TANK COMPLETE	1	PC.
	2		123673-3	FUEL TANK ASSEMBLY	1	PC.
		INC.		Item No. 31-33, 39		
045			454905-0	BAND HOLDER	2	PC.
046			454894-9	FRAME	1	PC.
047			961005-4	RETAINING RING S-9	1	PC.
048			922223-9	H.S.H.BOLT M5X16 WITH WR	2	PC.
049			264098-3	HEX NUT M5-10	1	PC.
050			346771-8	GUARD	1	PC.
051			922223-9	H.S.H.BOLT M5X16 WITH WR	1	PC.
052	1		6672500300	ROCK RIVET	4	PC.
	2		458158-3	RIVET 6	4	PC.
053	1		166127-7	CUSHION	1	PC.
	2		161540-4	CUSHION	1	PC.
054	1		6672500300	ROCK RIVET	2	PC.
	2		458158-3	RIVET 6	2	PC.
055			424678-9	RUBBER RING 25	2	PC.
056			326356-6	COIL SPRING 8	1	PC.

Item No.	Type	Sub	Part No.	Description	Qty	Unit
057			454425-4	SPIRAL TUBE 6-100	2	PC.
060			266326-2	TAPPING SCREW 4X18	5	PC.
061			187804-8	LEVER CASE SET	1	PC.
062			638642-6	SWITCH UNIT	1	PC.
063			632C07-2	LEAD UNIT	1	PC.
064			455191-6	CORRUGATE TUBE	1	PC.
065			231469-9	COMPRESSION SPRING 4	1	PC.
066			454899-9	THROTTLE LEVER A	1	PC.
067			168843-7	CONTROL CABLE	1	PC.
068			252126-6	HEX. LOCKING NUT M4-7	1	PC.
069			454924-6	THROTTLE LINK	1	PC.
070			454900-0	THROTTLE LEVER B	1	PC.
071			253903-9	WAVE WASHER 6	1	PC.
072			267010-2	FLAT WASHER 5	1	PC.
073			922132-2	HEX. SOCKET HEAD BOLT M4X18	1	PC.
075			265762-9	THUMB SCREW M5X30	1	PC.
076			253052-2	FLAT WASHER 12	1	PC.
090			282025-8	HOSE CLAMP 100	2	PC.
094			454922-0	CABLE HOLDER	1	PC.
100	1		5975500000	PULLEY	1	PC.
	2		161599-1	PULLEY	1	PC.
101			911233-1	PAN HEAD SCREW M5X20	3	PC.
102			803S70-0	MODEL NO. LABEL F/ EB7650TH	1	PC.
103			819432-8	CAUTION TAG (10 LANGUAGES)	1	PC.
	2		922253-0	H.S.H.BOLT M5X30 WITH WR	2	PC.
131			141771-1	ROCKER COVER COMPLETE	1	PC.
132			5971500900	ROCKER COVER GASKET	1	PC.
133	1		142771-4	CYLINDER HEAD COM.	1	PC.
		INC.	264024-2	HEX. NUT M5	1	PC.
		INC.	266728-2	ADJUSTING SCREW	1	PC.
	2		126943-9	CYLINDER HEAD ASSY	1	PC.
		INC.	264024-2	HEX. NUT M5	1	PC.
		INC.	266728-2	ADJUSTING SCREW	1	PC.
134			442167-2	CYLINDER HEAD GASKET	1	PC.
136			266586-6	H.S.H.BOLT M6X35	5	PC.
137	3		123579-5	* ENGINE BLOCK ASSEMBLY	1	PC.
		INC.	135739-7	* CYLINDER BLOCK ASSEMBLY (Inc. Item No. 138,139, 171)	1	PC.
		INC.		* Item No.130-134, 136,140 150-158, 161-167, 170, 172-174, 176, 177		
138			424201-0	CHECK VALVE	2	PC.
139			922352-8	HEX. SOCKET HEAD BOLT M6X30	6	PC.
140			442168-0	CAM GEAR GASKET	1	PC.
141			318725-5	CAM GEAR COVER	1	PC.
142	2		922223-9	H.S.H.BOLT M5X16 WITH WR	4	PC.
143			452047-4	OIL CAP	1	PC.
144			424343-0	GASKET	1	PC.
145			346083-9	LEAD VALVE	1	PC.
146			5931501300	RETAINER PLATE	1	PC.
147	3		0119049980	SOCKET HEAD BOLT M4X10	1	PC.
148			5976500100	OIL CASE GASKET	1	PC.
149			319008-6	OIL CASE	1	PC.
150			346452-4	GASKET	1	PC.
151	2		921412-3	HEX. BOLT M8X12	1	PC.
152	2		922243-3	SOCKET HEAD BOLT M5X25	5	PC.
153	1		0851109960	TUBE	1	PC.
	2		422420-2	TUBE 3-80	1	PC.

Item No.	Type	Sub	Part No.	Description	Qty	Unit
154			197040-8	PISTON RING 3PC SET	1	SET
155	1		318726-3	PISTON	1	PC.
	2		197456-7	PISTON SET	1	PC.
		INC.	318726-3	PISTON	1	PC.
		INC.		Item No. 154, 158		
156	2		213091-4	OIL SEAL 17	1	PC.
157			326039-8	PISTON PIN	1	PC.
158			233995-4	RING SPRING 12	2	PC.
160			254001-2	WOODRUFF KEY 4	1	PC.
161			267448-1	FLAT WASHER 41	1	PC.
162	2		213090-6	OIL SEAL(L)	1	PC.
163			143043-0	CRANK SHAFT COMPLETE	1	PC.
164			331964-0	INTAKE VALVE	1	PC.
165			331965-8	EXHAUST VALVE	1	PC.
166			234212-5	COMPRESSION SPRING 11	2	PC.
167			331966-6	RETAINER	2	PC.
170			256526-2	PUSH ROD	2	PC.
171			256186-0	* PIN 5	1	PC.
172	1		313266-6	* CAM LIFTER L	1	PC.
	2		310715-4	* CAM LIFTER L	1	PC.
173	1		5973002002	CAMGEAR ASSY	1	PC.
	2		126622-9	CAMGEAR ASSY	1	PC.
174			256200-2	PIN 5	1	PC.
175			331937-3	EXHAUST PORT SPACER	1	PC.
176			331967-4	COTTER	4	PC.
177			313267-4	CAM LIFTER R	1	PC.
178			424621-8	OIL GUARD	1	PC.
179			346772-6	MUFFLER GASKET	1	PC.
180	1		5973001003	MUFFLER EXHAUST	1	PC.
	2		168807-1	EXHAUST MUFFLER	1	PC.
181			266771-1	SOCKET HEAD BOLT M6X18	3	PC.
182			424105-6	PLUG CAP	1	PC.
183			324891-8	PLUG CAP SPRING	1	PC.
184	3		922138-0	SOCKET HEAD BOLT M4X20 W/WR	2	PC.
185			632C08-0	LEAD UNIT	1	PC.
186			638710-5	LEAD WIRE	1	PC.
187	1		5977001010	IGNITION COIL	1	PC.
	2		161837-1	IGNITION COIL	1	PC.
188	2		319170-7	FLYWHEEL COMPL	1	PC.
189			264054-3	FLANGE NUT M10	1	PC.
190			126165-1	RECOIL	1	PC.
		INC.		Item No. 191-200		
191			266585-8	TAPPING SCREW 5X12	1	PC.
192			424516-5	COLLAR	1	PC.
193			326200-7	SWING ARM	2	PC.
194			234257-3	FRICTION SPRING	1	PC.
195			441075-4	REEL	1	PC.
196	1		232262-4	SPIRAL SPRING	1	PC.
197			141649-8	STARTER CASE COMPLETE	1	PC.
199			424361-8	STARTER KNOB	1	PC.
200			424360-0	ROPE STOPPER	1	PC.
201	1		454914-9	AIR CLEANER COVER	1	PC.
	2		456618-9	AIR CLEANER COVER	1	PC.
202	1		265799-6	THUMB SCREW M5X20	2	PC.
	2		251481-3	THUMB SCREW M5X20	2	PC.
203			412145-6	AIR CLEANER ELEMENT	1	PC.
204			162346-3	SEPARATOR PLATE	1	PC.

Item No.	Type	Sub	Part No.	Description	Qty	Unit
205			352020-3	SEPARATOR MESH	1	PC.
206			266007-8	TAPPING SCREW BIND PT 3X10	1	PC.
207			424316-3	CHECK VALVE	1	PC.
208			453865-3	SEPARATOR CASE	1	PC.
209			911283-6	PAN HEAD SCREW M5X60	2	PC.
210			454910-7	CHOKE PLATE	1	PC.
211			266192-7	TAPPING SCREW 4X14	1	PC.
212			266420-0	TAPPING SCREW 5X20	1	PC.
213			454913-1	AIR CLEANER CASE	1	PC.
214			815N78-2	SERIAL NO. LABEL F/EB7650TH	1	PC.
215			454902-6	CHOKE LEVER	1	PC.
216			5233504200	CARBURETOR GASKET	1	PC.
217			346770-0	PLATE 31	1	PC.
218			412112-1	TUBE 3-60	1	PC.
219			168398-2	PRIMER PUMP	1	PC.
220			168859-2	CARBURETOR	1	PC.
		INC.		Item No. 250-273		
221			442206-8	CARBURETOR GASKET	1	PC.
222			422096-5	TUBE 3-25	1	PC.
223			422127-0	TUBE 3-55	1	PC.
224			452952-5	HOSE JOINT	1	PC.
225			412121-0	TUBE 3-130	1	PC.
226			422126-2	TUBE 3-160	1	PC.
227	1		424622-6	INSULATOR SEAL	1	PC.
	2		424831-7	INSULATOR SEAL	1	PC.
228			266749-4	HEX. S.H.B. M5X25 WITH WR	2	PC.
229			424623-4	GROMMET	1	PC.
230			0119059490	SOCKET HEAD BOLT M5X14 (W,SW)	1	PC.
231			142926-1	INSULATOR COMPLETE	1	PC.
232			162333-2	INSULATOR GASKET	1	PC.
233			213304-3	O RING 20	1	PC.
234			454911-5	ICING VALVE	1	PC.
235			454912-3	ICING VALVE COVER	1	PC.
236			266192-7	TAPPING SCREW 4X14	3	PC.
237			213261-5	O RING 17	1	PC.
239			803S73-4	LABEL, NOISE 76DB(A) PER ANISI/OPEI B175.2	1	PC.
250			266795-7	ADJUST SCREW	1	PC.
251			264065-8	CABLE ADJUST NUT M6	1	PC.
252			266704-6	PAN HEAD SCREW M3X10	2	PC.
253			346491-4	BRACKET CABLE	1	PC.
254			325922-6	SWIVEL	1	PC.
255			413140-9	WASHER	1	PC.
256			257964-1	STOP RING E-3	1	PC.
257			424444-4	PACKING RING	1	PC.
258			234183-6	CONICAL COMPRESSION SPRING 5-9	1	PC.
259			WJ00016104	O RING	1	PC.
260			WJ00112478	MAIN JET	1	PC.
261			442155-9	PUMP GASKET	1	PC.
262	1		168575-6	PUMP DIAPHRAGM	1	PC.
	2		WJ00009599	PUMP DIAPHRAGM	1	PC.
263			141672-3	PUMP BODY ASSEMBLY	1	PC.
264			442183-4	METERING DIAPHRAGM GASKET	1	PC.
265			168620-7	METERING DIAPHRAGM	1	PC.
266			WJ00021158	COVER-METERING DIAPHRAGM	1	PC.
267			WJ00096325	SCREW	4	PC.
268			WJ00983160	SPRING	1	PC.
269			WJ00096424	SCREW	1	PC.

Item No.	Type	Sub	Part No.	Description	Qty	Unit
270			WJ00014477	PIN-METERING LEVER	1	PC.
271			WJ00016648	LEVER	1	PC.
272			WJ00008282	VALVE-INLET NEEDLE	1	PC.
273	1		352010-6	INLET SCREEN	1	PC.
	2		WJ00014070	INLET SCREEN	1	PC.
C01			876115-3	CARTON F/EB7650TH	1	PC.
E01			806G83-8	* GAS EMISSION APPROVAL LABEL 2014 (Added)	1	PC.
<b>ACCESSORIES</b>			<b>- See Catalogue or visit <a href="http://www.makita.ca">www.makita.ca</a> for more accessories information -</b>			
A01	2		196771-6	BOX WRENCH 16 + DRIVER SET	1	PC.
		INC.	782239-4	BOX WRENCH 16	1	PC.
		INC.	783019-1	DRIVER	1	PC.
A03			242072-1	OIL BOTTLE (CONTAINER ONLY)	1	PC.
A04	2		197723-0	LONG PIPE 90 (Bulk# 454895-7)	1	PC.
A05			454896-5	END NOZZLE 90-60	1	PC.
A06	2		196911-5	FLAT NOZZLE 90 PKG	1	PC.
A07			455128-3	END NOZZLE 90-70	1	PC.
A08	1		166125-1	* SHOULDER HARNESS LEFT	1	PC.
	2		161534-9	* SHOULDER HARNESS LEFT	1	PC.
A09	1		166126-9	* SHOULDER HARNESS RIGHT	1	PC.
	2		161535-7	* SHOULDER HARNESS RIGHT	1	PC.
A10			454934-3	* FLEXIBLE PIPE	1	PC.
A11	1		168832-2	SWIVEL PIPE COMPLETE	1	PC.
	2		161653-1	SWIVEL PIPE COMPLETE	1	PC.
A12			0650109950	SPARK PLUG (NGK CMR6A)	1	PC.
A13			444043-6	STARTER ROPE	1	PC.
A14			196956-4	* HIP BELT SET (Instruction Available)	1	PC.
A15	2		196912-4	SHORT PIPE 90 PKG	1	PC.
A16	2		T-02490	PREM MM4 ENGNE OIL 12/CS	1	PC.
A17			197304-0	HIGH ALTITUDE JET 59 SET	1	PC.
A18			196733-4	BAND (CHEST STRAP) 25	1	PC.

**SERVICE CHANGES**

**1. Addition of Gas emission approval label**

(TI#A6919)

Item No.	Description	Type 1	Type 2
008	Front Volute Case	454893-1	454893-1
E01	Gas Emission Approval Label 2014	-----	806G83-8

Above parts are completely interchangeable as a set.

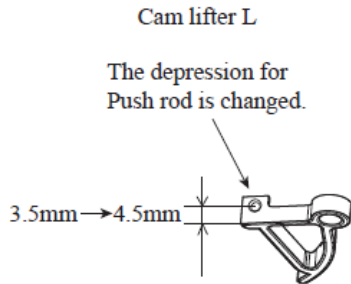
Attach the label (806G83-8) F/Repair

**2. Change on Cam lifter L and Cylinder Block Assembly**

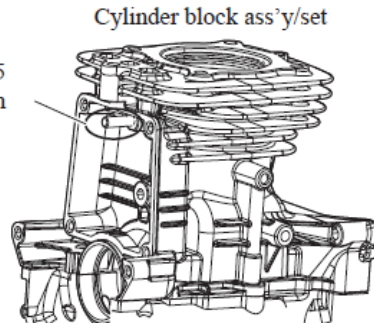
(TI#B1426)

Item No.	Description	Type 1	Type 2
137	Cylinder Block Assembly	135631-7	135739-7
171	Pin 5	256186-0	a component of Item No. 137
172	Cam Lifter L	313266-6	310715-4

Above parts are completely interchangeable as a set.



The assembly process of Pin 5 for Cam lifter is changed from INSERTION to PRESSFIT.



**3. Change on Shoulder Harness**

(TI#B3181)

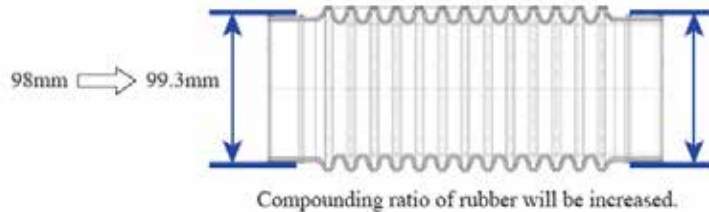
Item No.	Description	Type 1	Type 2
A08	Shoulder Harness Left	166125-1	161534-9
A09	Shoulder Harness Right	166126-9	161535-7

Above parts are completely interchangeable as a set.

**4. Change on Cushion, Hip belt, Flexible pipe**

Item No.	Description	Type 1	Type 2
15	Cushion	166127-7	161540-4
A10	Flexible Pipe		454934-3
A14	Hip Belt Set		196956-4

A10 FLEXIBLE PIPE



A14 The loops for Flame are added on Cushion & Hip Belt Set

